

POWER YOUR FUTURE

Weichai Generator  
LG2400WP

16M55D2900E310

Prime Power: 2400KW/3000KVA

Standby Power: 2640KW/3300KVA



## GENERATING POWER SOLUTIONS

### Increased availability for new operations

Reliable, robust and versatile generator.  
Ready to deliver power for a next job.

### Increased uptime during operations

Once installed on the end-user-site, the generator will be ready to run: "peace of mind" operation.

### Reduced transport and installation costs

The compact and robust design with integrated transport features enables faster and safer transport and installation.

### Reduced service & maintenance costs

Longer service intervals.  
Quicker and more efficient service jobs.

### Premium resale value

Designed and built to last.

### SAFETY

- Operate safely in accordance with proper operation manual.
- To prevent trouble and accidents, perform daily and preventive maintenance checks without fail.

Weichai Baudouin Series

500KVA--42000KVA



FUAN LONGKAI POWER CO.,LTD.

#### Headquarters:

Add: Wei 5 Road, Tiehu Industrial Zone, Fuan, Fujian, China

Tel: +86-0593-6309773 Fax: +86-0593-6586988

E-mail: sales@longkaipower.com

Web: www.longkaipower.com

## Technical Data

LG2400WP

Model	LG2400WP	
Rated prime power	kva	3000
Rated standard power	kva	3300
Rated voltage line to line	V	400/230
Rated current	A	4330
Maximun sound level	dB(@7m)	≤100

Engine-Weichai		
Model	16M55D2900E310	
Aspiration	Turbocharging and intercooling	
Fuel system	Mechanical Pump+Electronic Speed Governor	
No. cylinders	V16	
Displacement	Liquid	87.5
Bore*Stroke	mm	180*215
Compression ratio	16.5:1	
Rated speed	r/min	1500
Rated net power(with fan)	Kw	2420
Governor type	ECU	
Start Motor	V	24

Exhaust System		
Exhaust gas flow	litre/sec	12962
Exhaust gas temp	°C	720
Max back pressure	kPa	5

Aspiration System		
Max inlet pressure	kPa	≤3
Combustion volume	m <sup>3</sup> /min	/
Air flow	litre/sec	12450

Fuel System		
100% load(Prime power)	L/h	553
75% load(Prime power)	L/h	/
50% load(Prime power)	L/h	/
Fuel tank capacity	L	4500

Lubrication System		
Oil capacity	L	350
Oil consumption	g/kwh	0.4
Oil pressure	kPa	400-650
(continuous operation)		

Cooling System		
Coolant capacity	L	89.2
Thermostat operation range	°C	44-56
Max water temperature	°C	103

Alternator		
Model	LONGKAI STAMFORD	LK734HG /
Phase	3	
Voltage	V	400/230
Wiring Type	3 Phase 4 wire, Y type	
Bearing	1	
Power factor	0.8	
Frequency	Hz	50
Prime power	KW	2470
Exciter Type	Brushless, self-excitation	
Voltage regulation	%	±0.5
Protection Grade	IP 23	
Insulation grade	H/H	
Altitude	m	≤1000

Controller-DEEPSEA	
Model	DSE6120MK3

Protective functions:

- Low oil pressure
- High water temperature
- High/low voltage
- High Engine Temperature and Overspeed.
- Voltage regulator frequency regulator
- Emergency stop
- Start failure



### Control Module Options



- Auto generator control module
- Control module with " Three Remote Control" functions
- ATS auto load transfer screen
- Synchronising control modules
- Power output cabinet

## Standard Features

- Engine(Weichai Baudouin)
- Radiator 50°C max,fans are driven by bel
- 24V charge alternator
- Alternator: single bearing alternator IP23, insulation class H/H
- Standard auto control system
- One set of air filter, fuel filter, oil filter
- Main line circuit breaker/MCCB
- Base fuel tank
- Two 24V batteries, rac and cable
- Exhaust system(Ripple flex exhaust pipe, exhaust siphon, flange, muffler)
- User manual

## Options

- Battery charge
  - Engine heater
  - Alternator heater
  - PMG
  - Water oil separator
  - Daily fuel tank
  - Remote control panel
  - Automatic transfer switch/ATS
  - Switch box
- Standard: ●                      Options:○

## Warranty\*

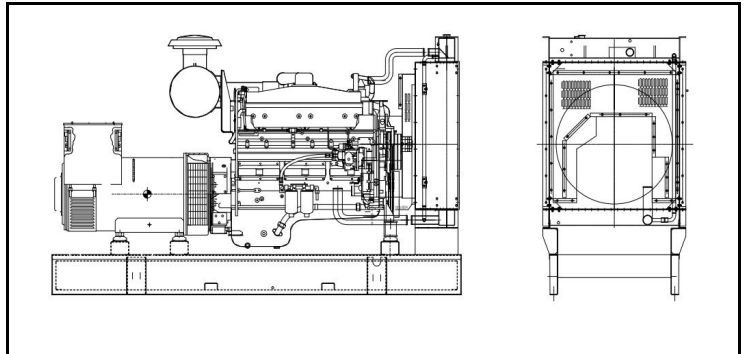
### Weichai Engine

12 months from date of purchase and 1000 hours.

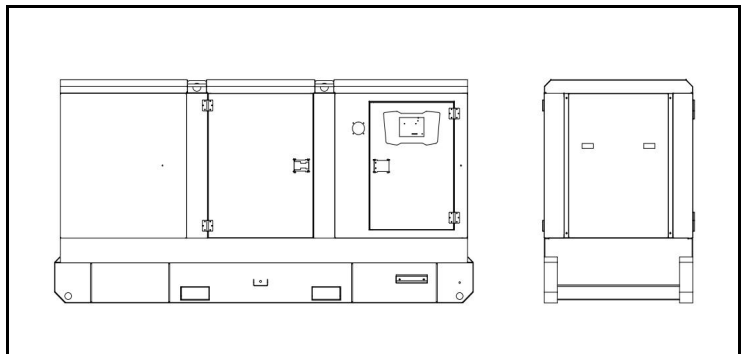
### Generator

12 months from date of purchase or 1000 hours (whichever occurs first).

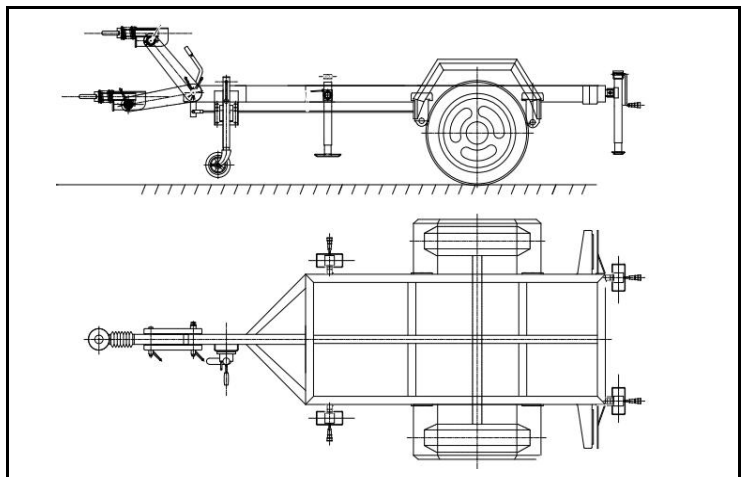
## Unit Dimensions(Basic unit)



<b>Open Type</b>		
L*W*H	mm	1850*800*1160
Weight	kg	800



<b>Silent Type</b>		
L*W*H	mm	6500*2850*3290
Weight	kg	



<b>Trailer Option</b>		
L*W*H	mm	40HQ*
Max loading weight	kg	