

POWER YOUR FUTURE

**Weichai Generator
LG900WP**

12M33D1108E200

Prime Power: 900W/1125KVA

Standby Power: 990W/1237.5KVA



GENERATING POWER SOLUTIONS

Increased availability for new operations

Reliable, robust and versatile generator.
Ready to deliver power for a next job.

Increased uptime during operations

Once installed on the end-user-site, the generator will be ready to run: "peace of mind" operation.

Reduced transport and installation costs

The compact and robust design with integrated transport features enables faster and safer transport and installation.

Reduced service & maintenance costs

Longer service intervals.
Quicker and more efficient service jobs.

Premium resale value

Designed and built to last.

SAFETY

- Operate safely in accordance with proper operation manual.
- To prevent trouble and accidents, perform daily and preventive maintenance checks without fail.

**Weichai Baudouin Series
500KVA--42000KVA**



FUAN LONGKAI POWER CO.,LTD.

Headquarters:

Add: Wei 5 Road, Tiehu Industrial Zone, Fuan, Fujian, China

Tel: +86-0593-6309773 Fax: +86-0593-6586988

E-mail: sales@longkaipower.com

Web: www.longkaipower.com

Technical Data

LG900WP

Model	LG900WP	
Rated prime power	kva	1125
Rated standard power	kva	1237.5
Rated voltage line to line	V	400/230
Rated current	A	1624
Maximun sound level	dB(@7m)	≤103

Engine-Weichai		
Model	12M33D1108E200	
Aspiration	Turbocharging and intercooling	
Fuel system	Mechanical Pump+Electronic Speed Governor	
No. cylinders	V 12	
Displacement	Liquid	39.2
Bore*Stroke	mm	150*185
Compression ratio	15:01	
Rated speed	r/min	1500
Max power(with fan)	Kw	1007
Governor type	EFC Electrical	
Start Motor	V	24

Exhaust System		
Exhaust gas flow	L/s	5576
Exhaust gas temp	°C	550
Max back pressure	kPa	7.5

Aspiration System		
Max inlet pressure	kPa	≤3
Combustion volume	L/s	/
Air flow	L/s	4968

Fuel System		
100% load(Prime power)	L/h	219.8
75% load(Prime power)	L/h	/
50% load(Prime power)	L/h	/
Fuel tank capacity	L	1900
	(External Fuel Tank)	

Lubrication System		
Oil capacity	L	117
Oil consumption	g/kwh	0.3
Oil pressure	kPa	400-650
	(continuous operation)	

Cooling System		
Coolant capacity	L	83
Thermostat operation range	°C	80-92
Max water temperature	°C	103

Alternator		
Model	LONGKAI	LK634F
	STAMFORD	LVI634F/HCI634K-S6L1D-F4
Phase	3	
Voltage	V	400/230
Wiring Type	3 Phase 4 wire, Y type	
Bearing	1	
Power factor	0.8	
Frequency	Hz	50
Prime power	KW	904
Exciter Type	Brushless, self-excitation	
Voltage regulation	%	±0.5
Protection Grade	IP 23	
Insulation grade	H/H	
Altitude	m	≤1000

Controller-DEESEA	
Model	DSE6120MK3

Protective functions:

- Low oil pressure
- High water temperature
- High/low voltage
- High Engine Temperature and Overspeed.
- Voltage regulator frequency regulator
- Emergency stop
- Start failure



Control Module Options



- Auto generator control module
- Control module with "Three Remote Control" functions
- ATS auto load transfer screen
- Synchronising control modules
- Power output cabinet

Standard Features

- Engine(Weichai Baudouin)
- Radiator 50°C max,fans are driven by bel
- 24V charge alternator
- Alternator: single bearing alternator IP23, insulation class H/H
- Standard auto control system
- One set of air filter, fuel filter, oil filter
- Main line circuit breaker/MCCB
- Base fuel tank
- Two 24V batteries, rac and cable
- Exhaust system(Ripple flex exhaust pipe, exhaust siphon, flange, muffler)
- User manual

Options

- Battery charge
- Engine heater
- Alternator heater
- PMG
- Water oil separator
- Daily fuel tank
- Remote control panel
- Automatic transfer switch/ATS
- Switch box
- Standard: ● Options:○

Warranty*

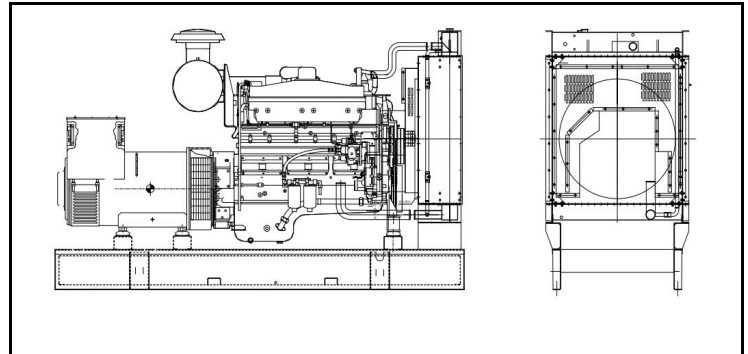
Weichai Engine

12 months from date of purchase and 1000 hours.

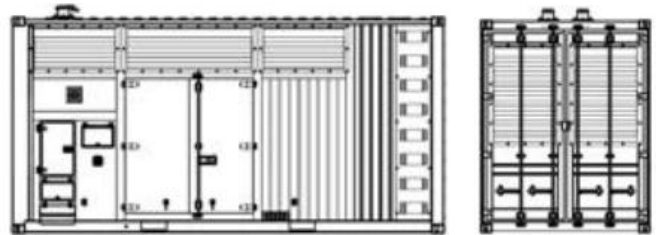
Generator

12 months from date of purchase or 1000 hours (whichever occurs first).

Unit Dimensions(Basic unit)



Open Type		
L*W*H	mm	4700*2200*2400
Weight	kg	7550



Silent Type(Standard 20'ft container)		
L*W*H	mm	5895*2220*2500
Weight	kg	13500